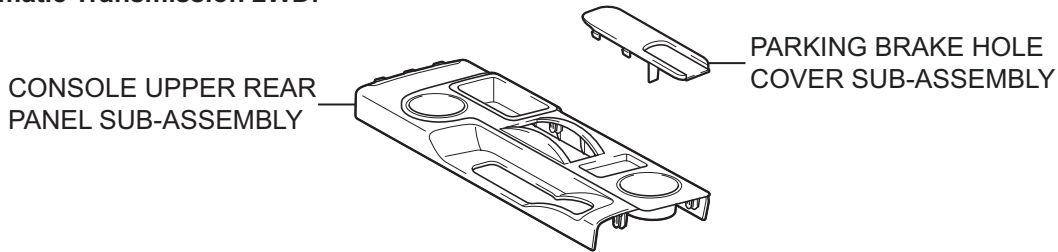


PARKING BRAKE CABLE

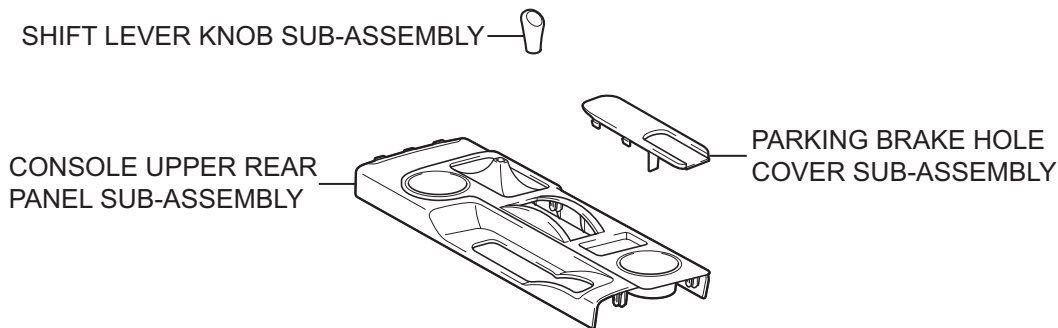
COMPONENTS

PB

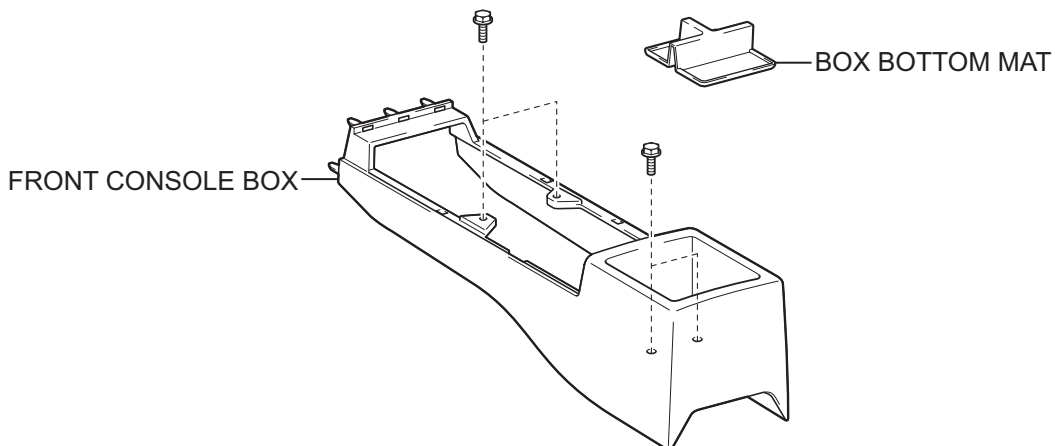
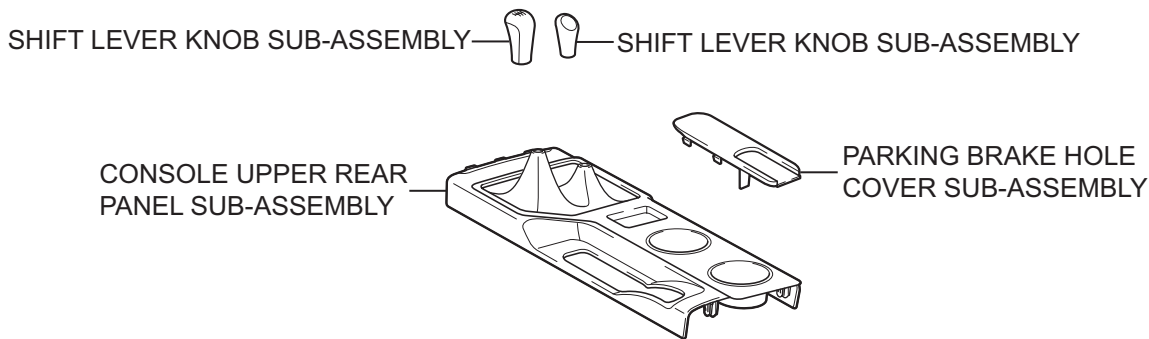
for Automatic Transmission 2WD:

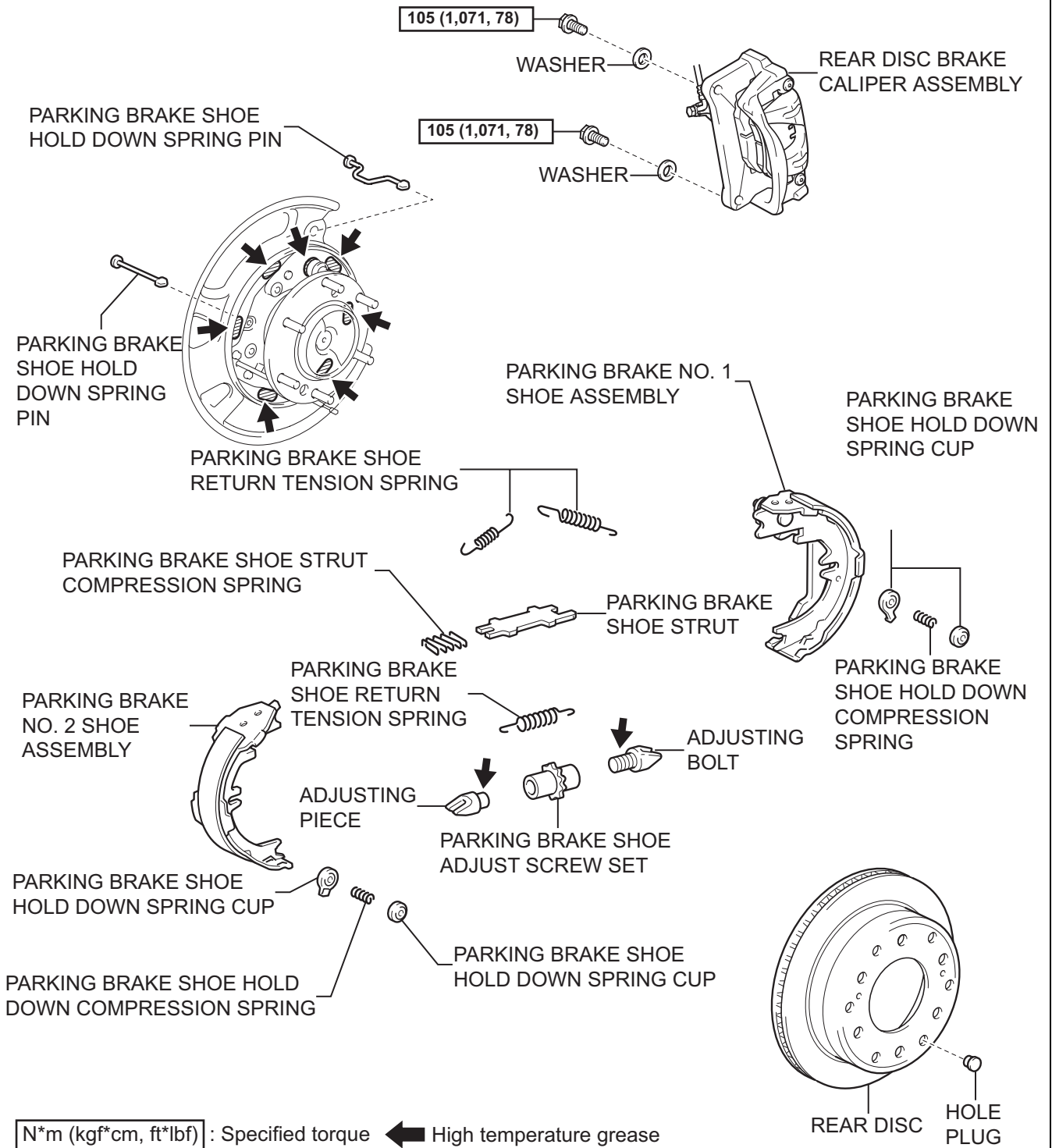


for Automatic Transmission 4WD:

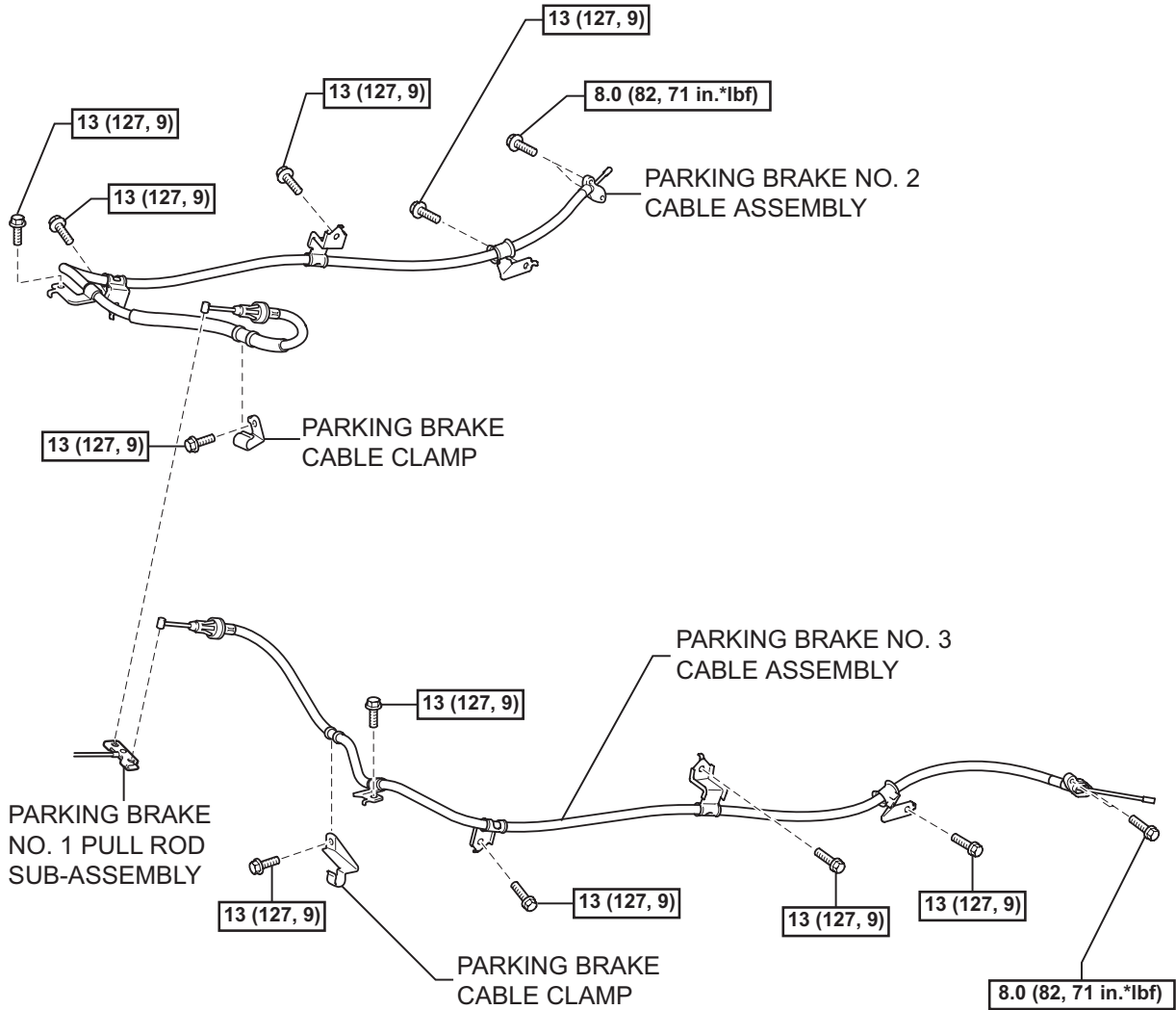


for Manual Transmission 4WD:

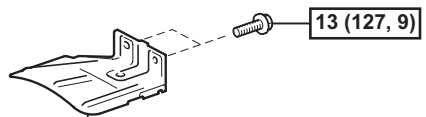




PB



for RH Side:



PARKING BRAKE CABLE HEAT INSULATOR

N*m (kgf*cm, ft*lbf) : Specified torque